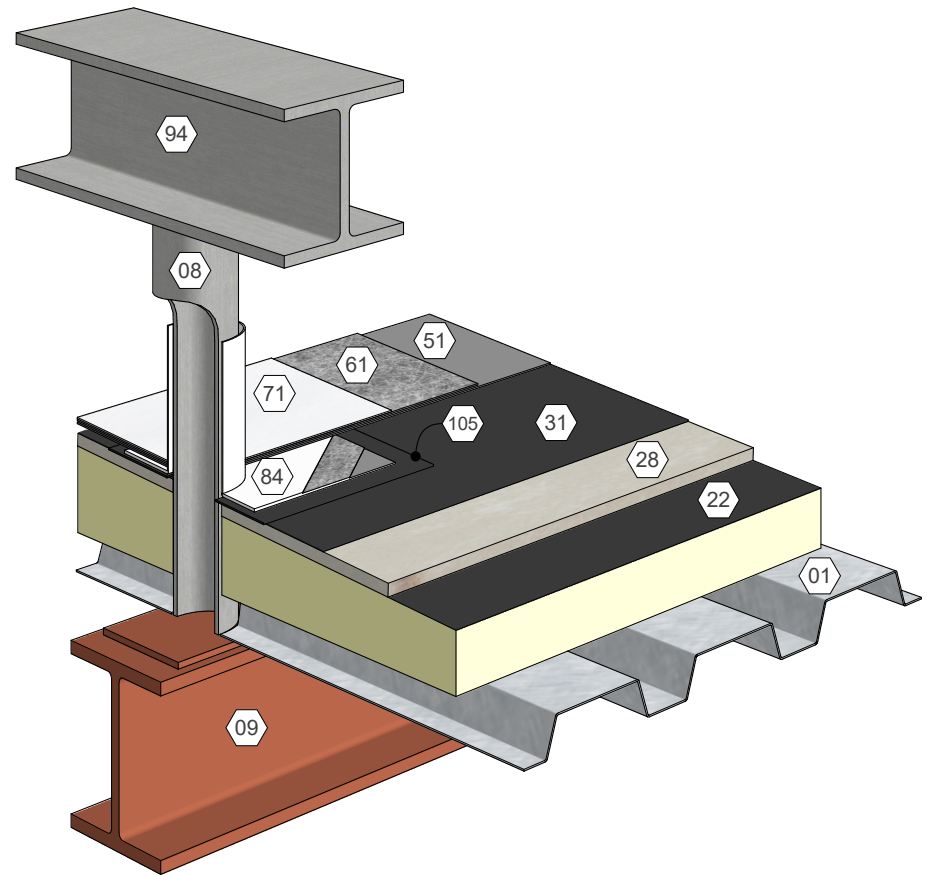
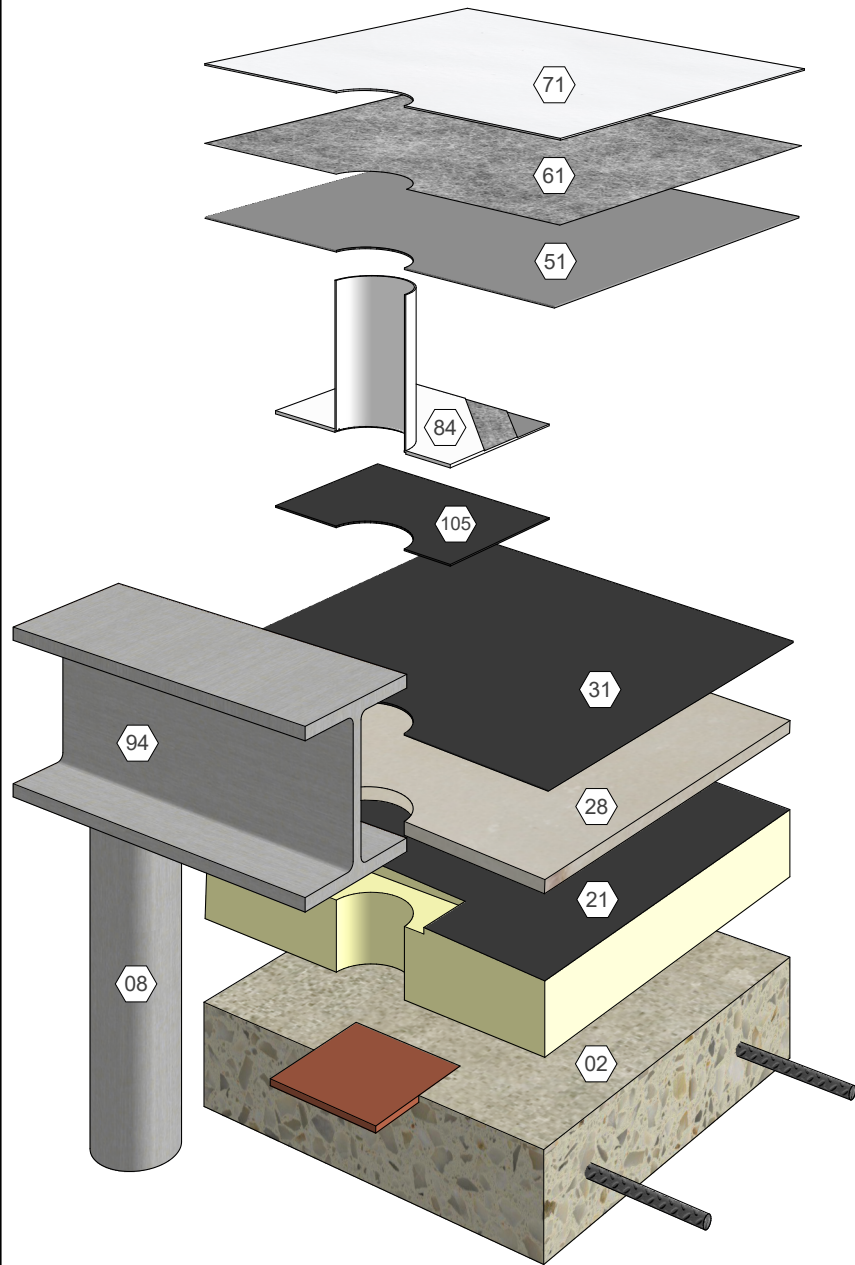


### KEY NOTES

- |  |                                     |                               |
|--|-------------------------------------|-------------------------------|
| 01 Metal Deck  | 28 Cover Board (Adhered)            | 71 AlphaGuard MT/MTS Top Coat |
| 08 Equipment Support Stand Leg                       | 31 Approved Base Ply Sheet          | 84 AlphaGuard Flashing        |
| 09 Roof Structure                                    | 51 AlphaGuard MT/MTS Base Coat      | 94 Equipment Support          |
| 22 Polyisocyanurate Insulation (Fastened or Adhered) | 61 AlphaGuard Glass Mat or Permafab | 105 Target Patch              |

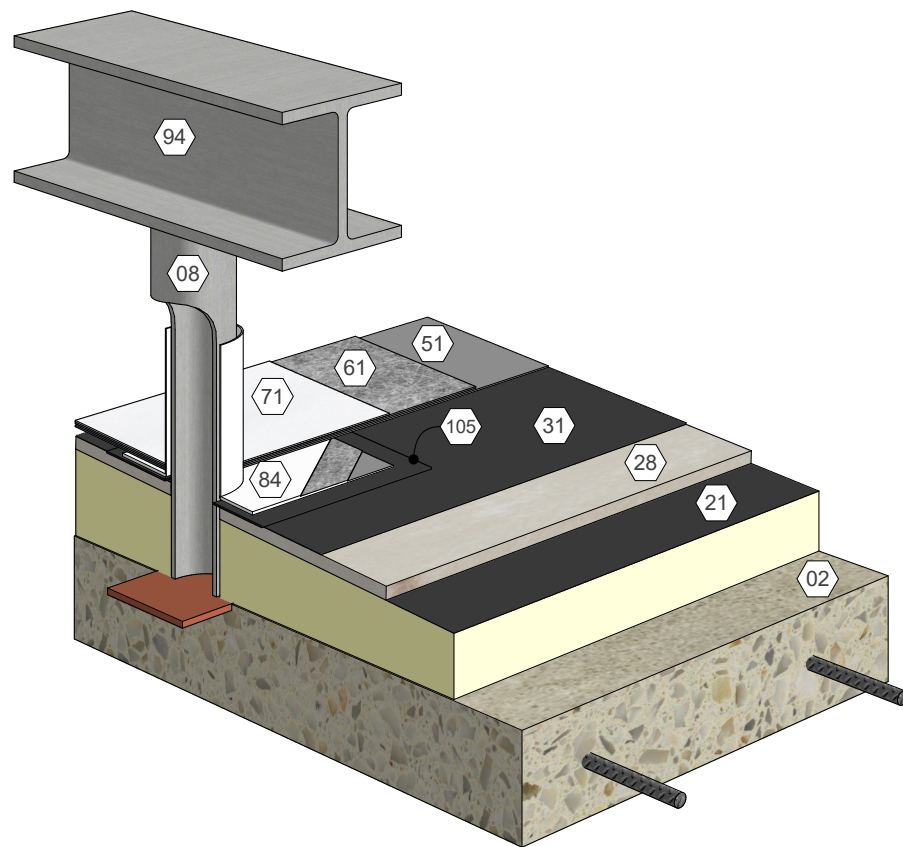


AlphaGuard® MT/MTS Plus Equipment Support Stand Leg Detail, Metal Deck  
Detail 22111

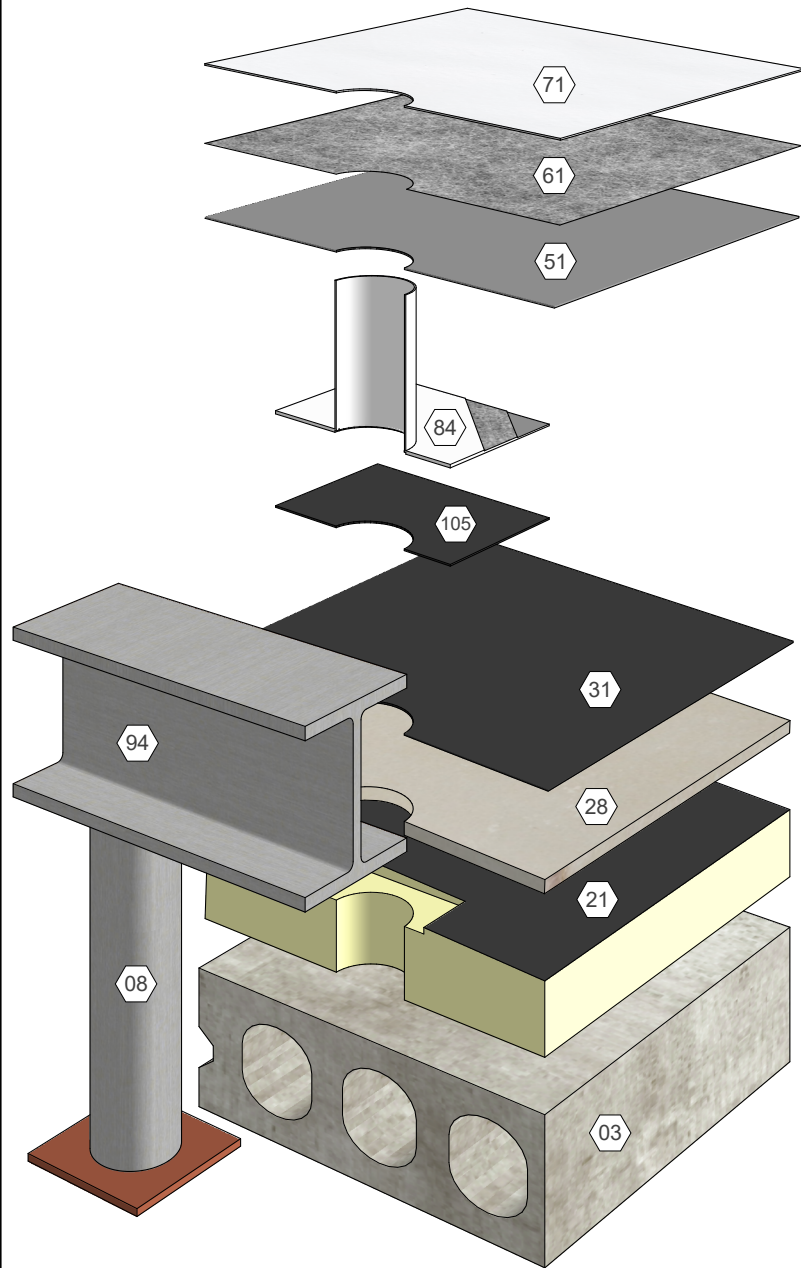


### KEY NOTES

- |  |                                     |                               |
|--|-------------------------------------|-------------------------------|
| 02 Structural Concrete Deck              | 28 Cover Board (Adhered)            | 71 AlphaGuard MT/MTS Top Coat |
| 08 Equipment Support Stand Leg           | 31 Approved Base Ply Sheet          | 84 AlphaGuard Flashing        |
| 21 Polyisocyanurate Insulation (Adhered) | 51 AlphaGuard MT/MTS Base Coat      | 94 Equipment Support          |
|  | 61 AlphaGuard Glass Mat or Permafab | 105 Target Patch              |

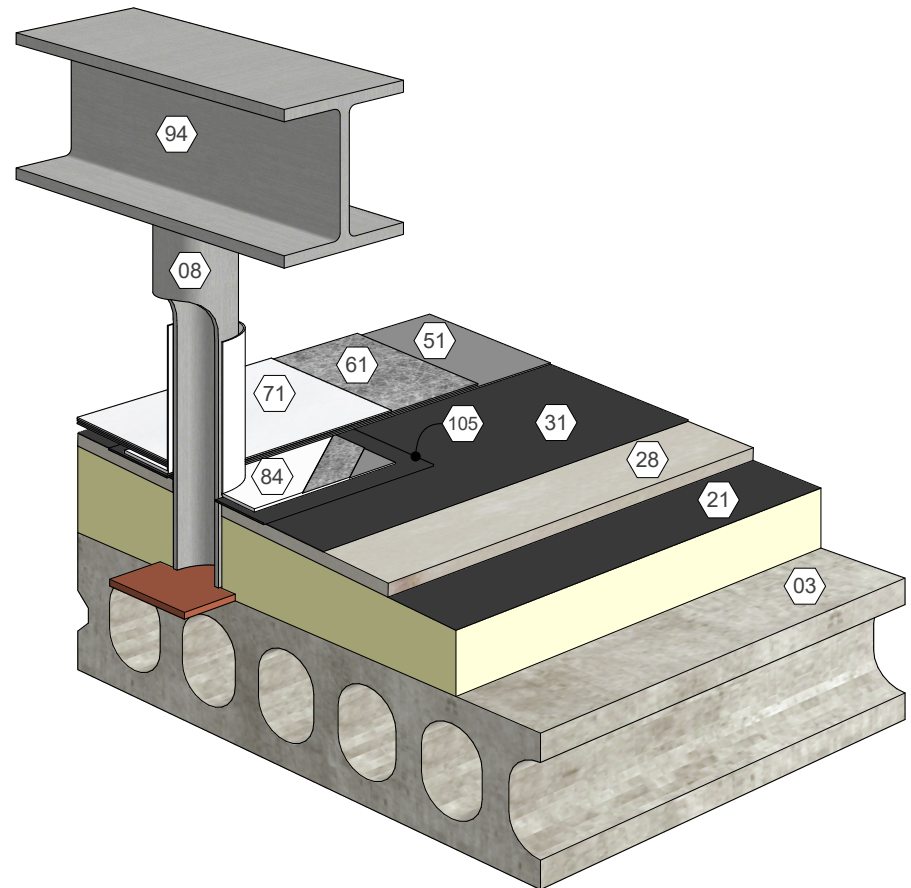


AlphaGuard® MT/MTS Plus Equipment Support Stand Leg Detail, Structural Concrete Deck  
Detail 22112

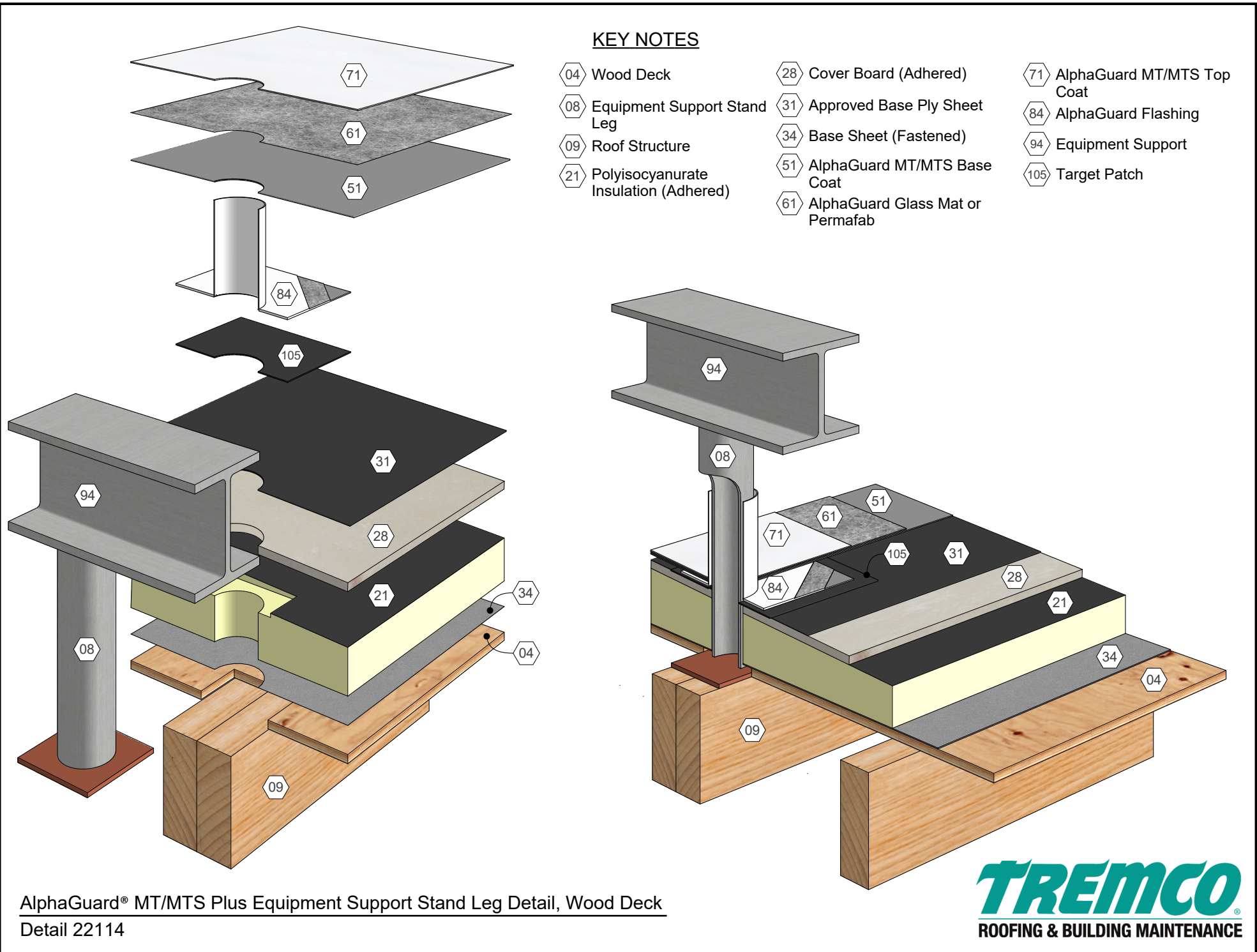


### KEY NOTES

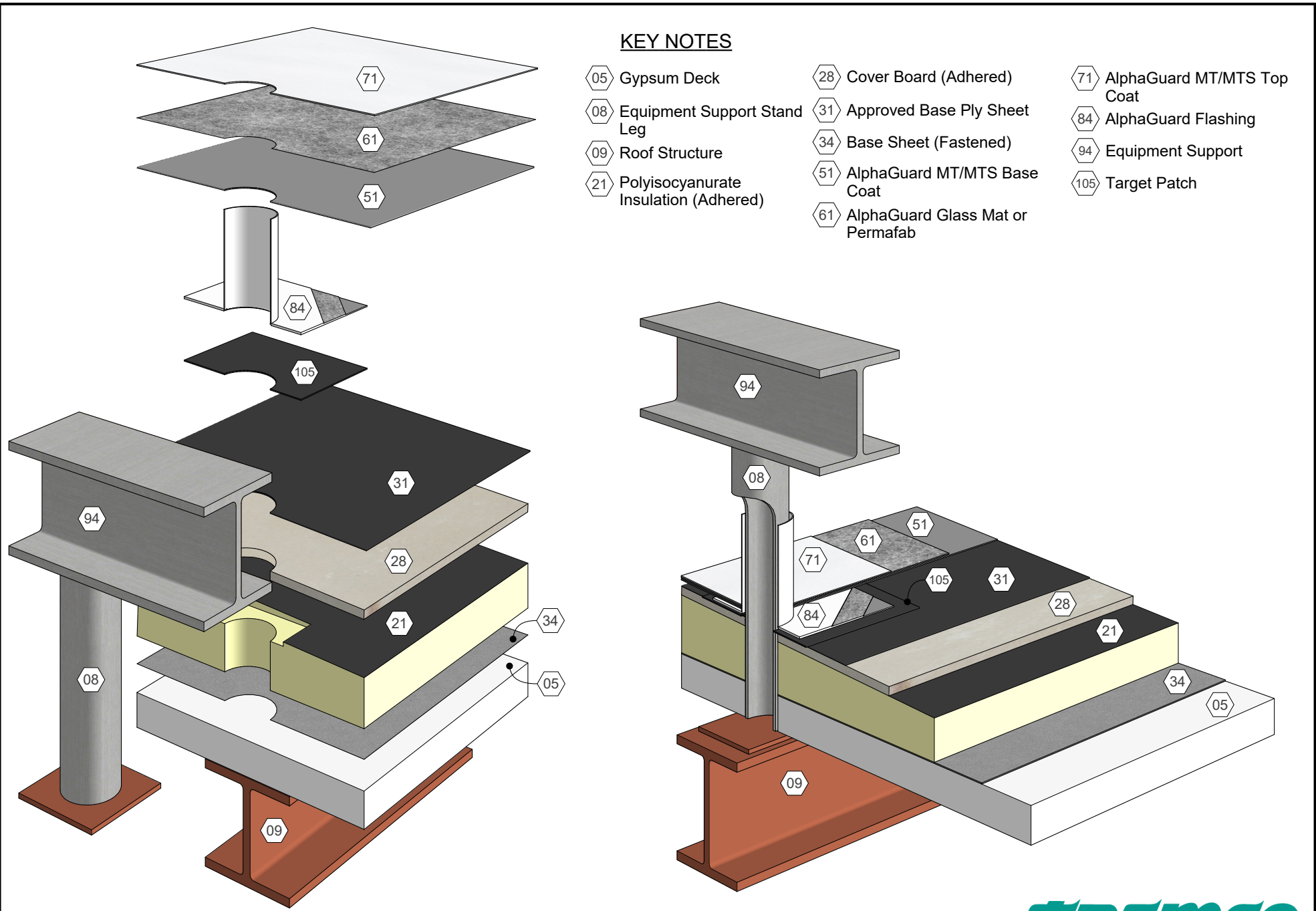
- |    |                                       |    |                                  |     |                            |
|----|---------------------------------------|----|----------------------------------|-----|----------------------------|
| 03 | Precast Concrete Deck                 | 28 | Cover Board (Adhered)            | 71  | AlphaGuard MT/MTS Top Coat |
| 08 | Equipment Support Stand Leg           | 31 | Approved Base Ply Sheet          | 84  | AlphaGuard Flashing        |
| 21 | Polyisocyanurate Insulation (Adhered) | 51 | AlphaGuard MT/MTS Base Coat      | 94  | Equipment Support          |
|    |                                       | 61 | AlphaGuard Glass Mat or Permafab | 105 | Target Patch               |



AlphaGuard® MT/MTS Plus Equipment Support Stand Leg Detail, Precast Concrete Deck  
Detail 22113



AlphaGuard® MT/MTS Plus Equipment Support Stand Leg Detail, Wood Deck  
 Detail 22114



AlphaGuard® MT/MTS Plus Equipment Support Stand Leg Detail, Gypsum Deck  
 Detail 22115